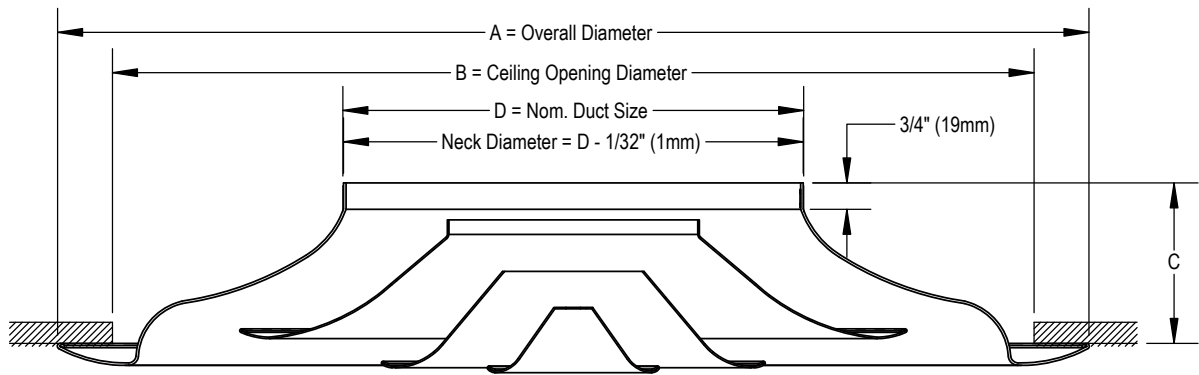
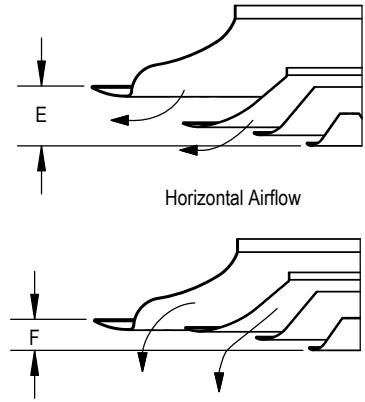


**ARCD Aluminum Round Cone Diffuser**



Nom. Size	A	B	C	D	E	F
6	13 1/2" (343mm)	12" (305mm)	1 5/8" (41mm)	6" (152mm)	1 3/4" (44mm)	15/16" (24mm)
8	18" (457mm)	16" (406mm)	2 1/8" (54mm)	8" (203mm)	2 3/16" (56mm)	1 3/16" (30mm)
10	22 1/2" (572mm)	20" (508mm)	2 5/8" (67mm)	10" (254mm)	2 11/16" (68mm)	1 7/16" (36mm)
12	27" (686mm)	24" (610mm)	3 1/4" (83mm)	12" (305mm)	3 1/8" (79mm)	1 5/8" (41mm)
14	31 1/2" (800mm)	28" (711mm)	3 3/4" (95mm)	14" (356mm)	3 15/16" (100mm)	1 15/16" (49mm)
16	36" (914mm)	32" (813mm)	4 1/4" (108mm)	16" (406mm)	4 1/8" (105mm)	2 1/4" (57mm)
18	40 1/2" (1029mm)	36" (914mm)	4 7/8" (124mm)	18" (457mm)	4 3/4" (121mm)	2 1/2" (64mm)
20	45" (1143mm)	40" (1016mm)	5 5/8" (143mm)	20" (508mm)	5 1/4" (133mm)	2 3/4" (70mm)



**MATERIAL:**

- Spun aluminum
- Steel hardware

**FINISH:**

- Standard Finish:
- B12 - Standard White

**NOTES:**

- Horizontal to vertical pattern adjustment, three positions
- Tool free removal of inner cone assembly
- Factory tolerance ±1/32" (1mm)

Optional finishes available:

- Optional colors
- Custom colors
- See finishes brochure for additional information. Contact your PRICE representative for leadtimes and pricing.



Scan for link to additional product information and installation instructions

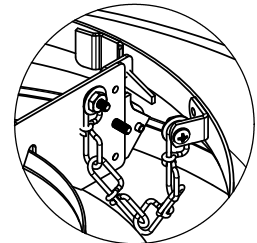
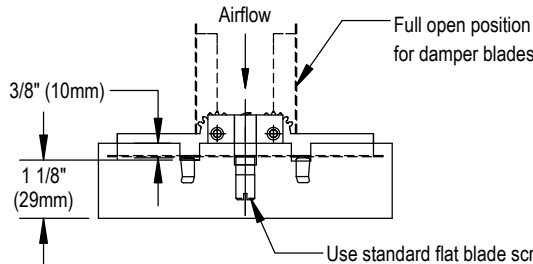
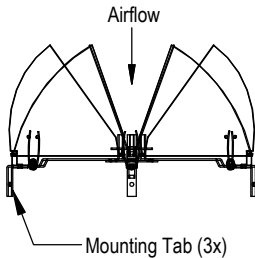
**OPTIONS:**

Dampers (shipped loose)

- VCR7 - Steel radial opposed blade damper (sizes 6" to 20")
- VCR8 - Steel full flow damper, duct mounted (sizes 6" to 14")

**ACCESSORY:**

- SC - Safety Chain



ALL METRIC DIMENSIONS ( ) ARE SOFT CONVERTED. IMPERIAL DIMENSIONS ARE CONVERTED TO METRIC AND ROUNDED TO THE NEAREST MILLIMETER

<b>PROJECT:</b>		<b>PRICE</b> <sup>®</sup>	
<b>ENGINEER:</b>		<i>MJ</i> <b>227401</b>	<b>ARCD</b> Aluminum Round Cone Diffuser
<b>CUSTOMER:</b>			
<b>SUBMITTAL DATE:</b>	<b>SPEC. SYMBOL:</b>	2023-02-08	